

FIG.1

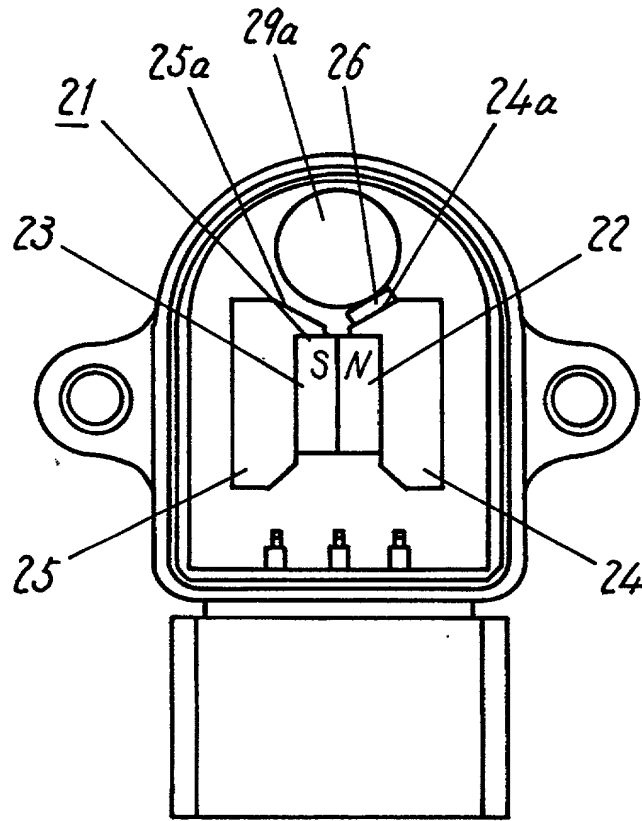
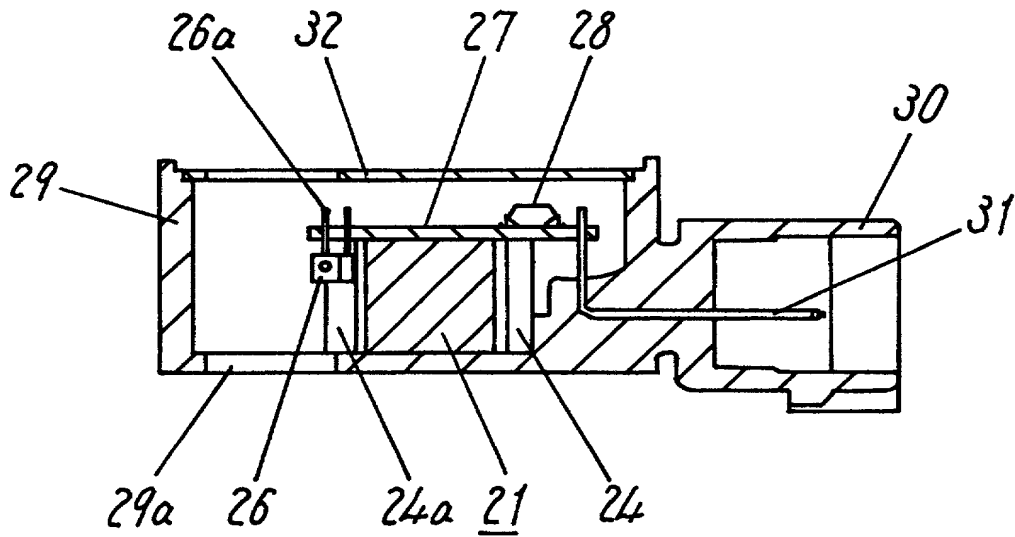


FIG.2



207050-29221660

FIG.3

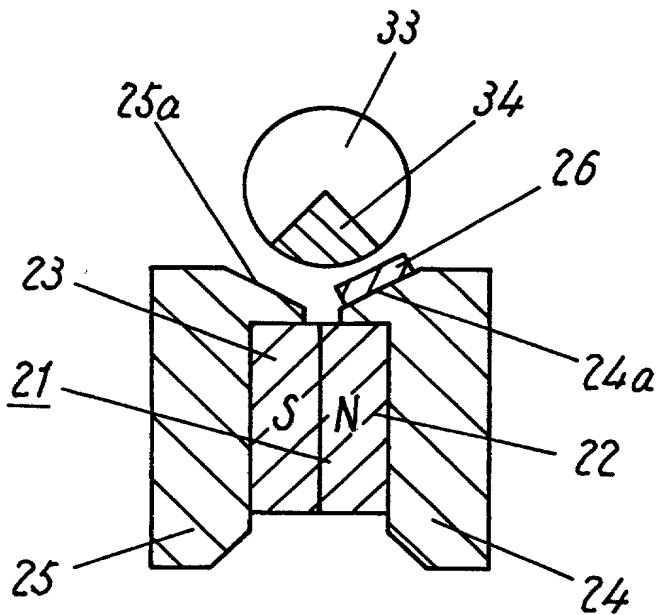


FIG.4(a)

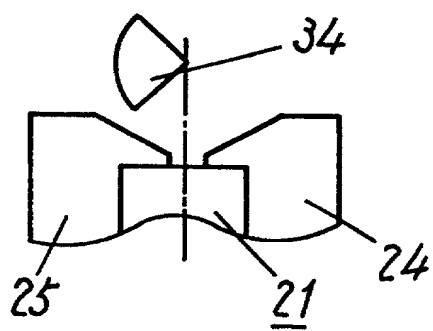


FIG.4(b)

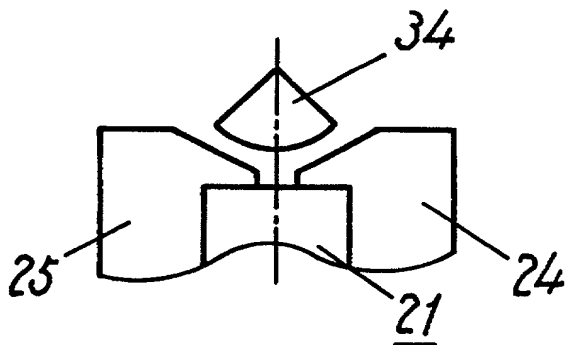


FIG.5

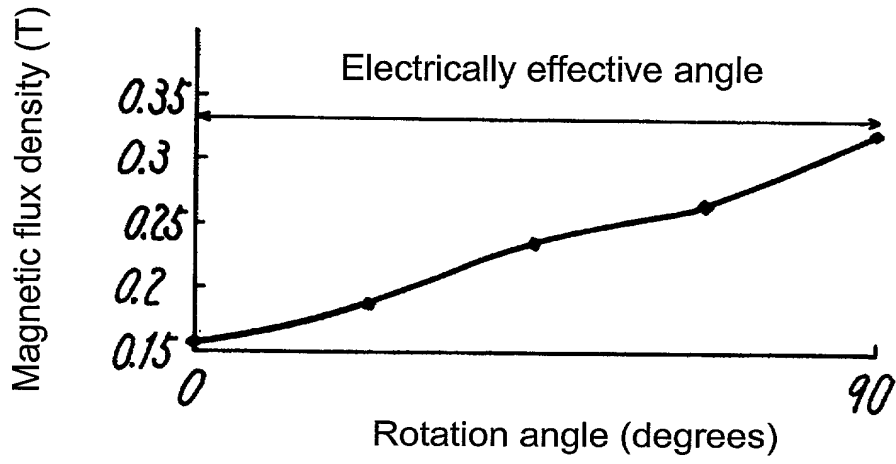
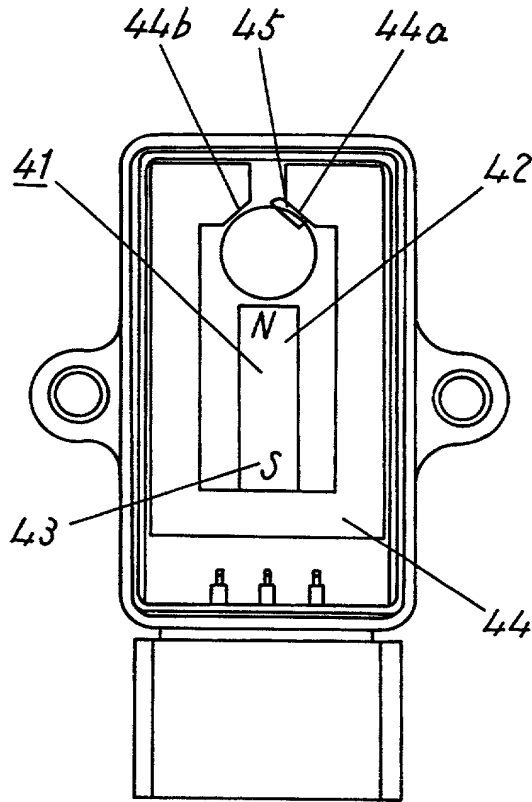


FIG.6



20160507 29111668

FIG.7

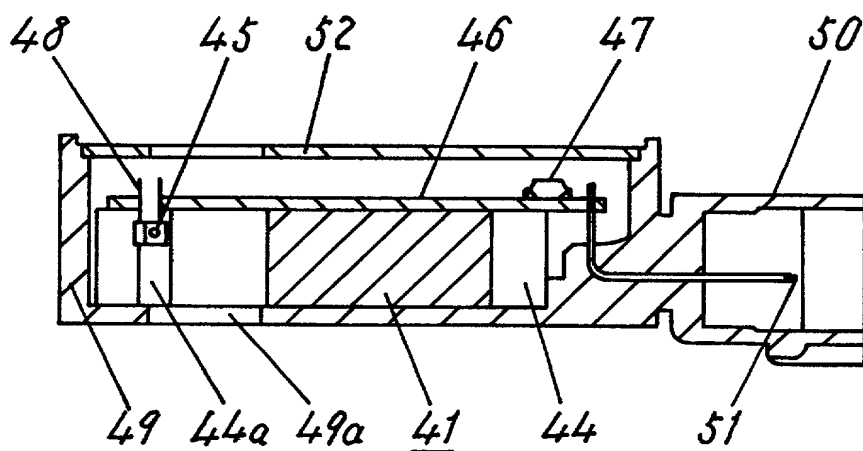


FIG.8

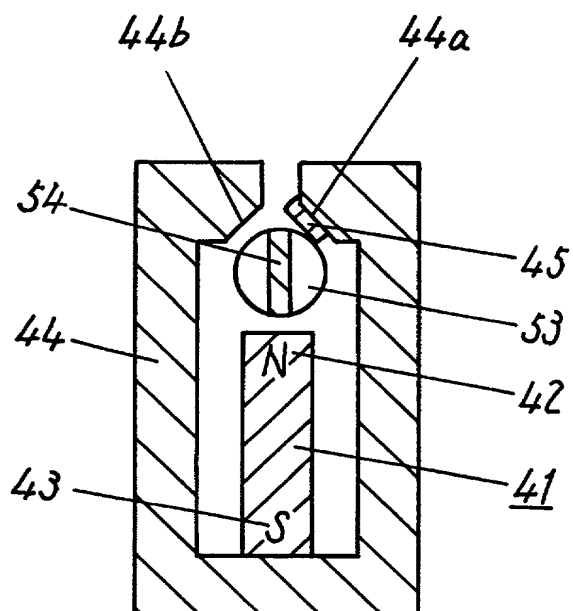
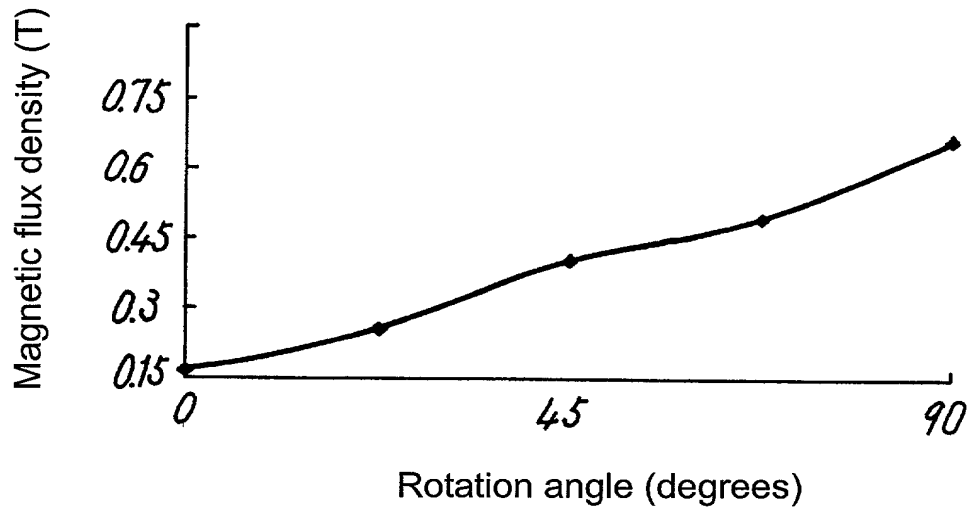


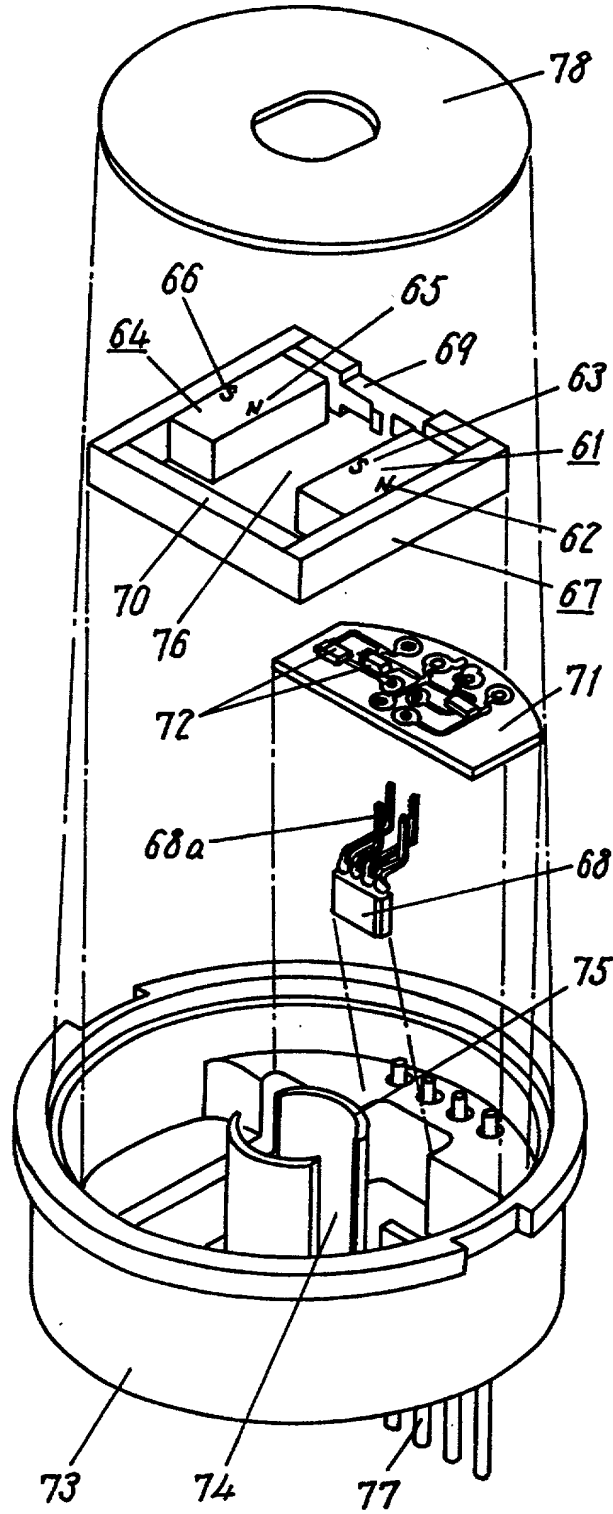


FIG.10



20250723 09:55:55

FIG.11



2010007 29661660

FIG.12

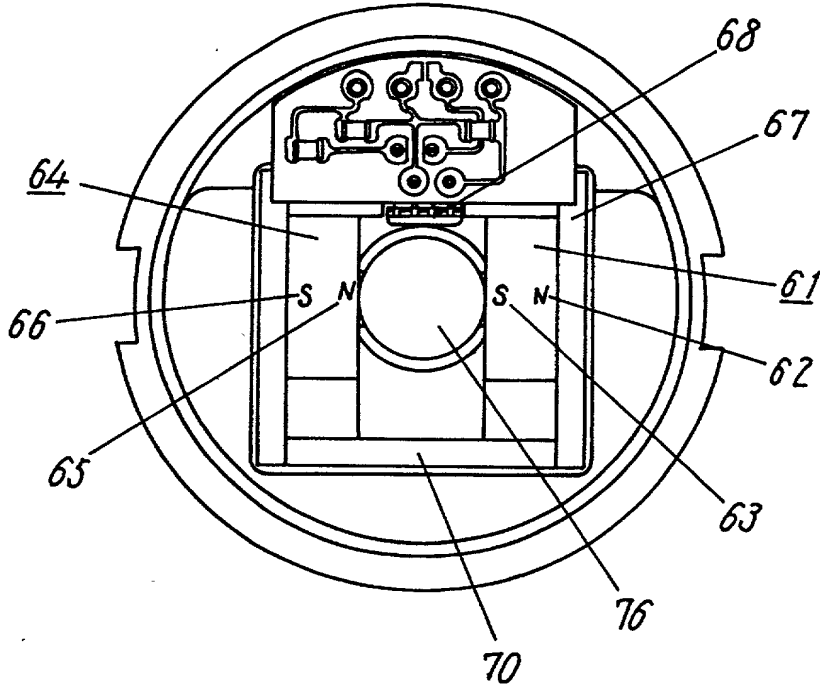


FIG.13

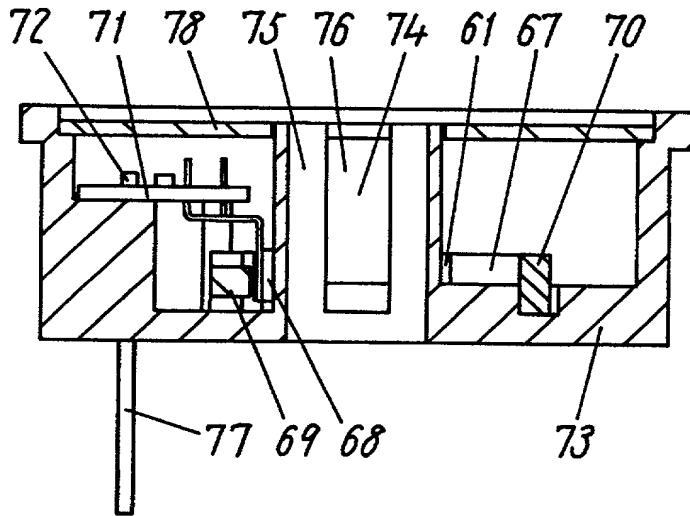
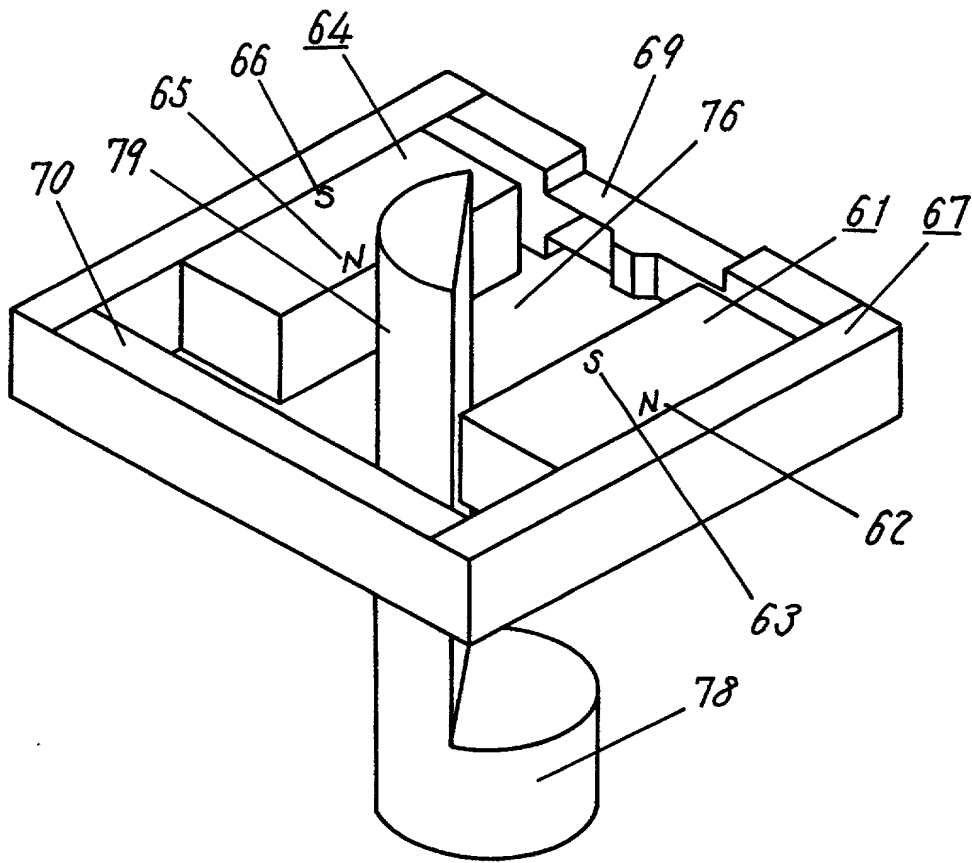




FIG.14



09/913362

FIG.15 (a)

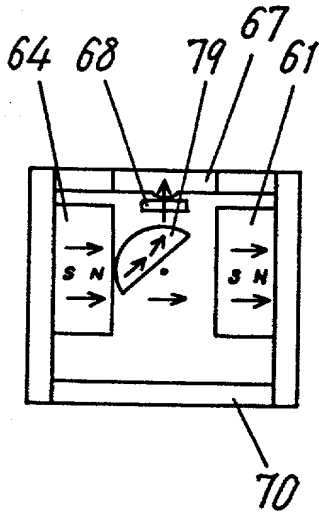


FIG.15 (b)

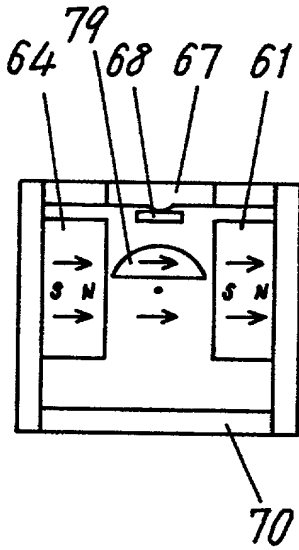


FIG.15 (c)

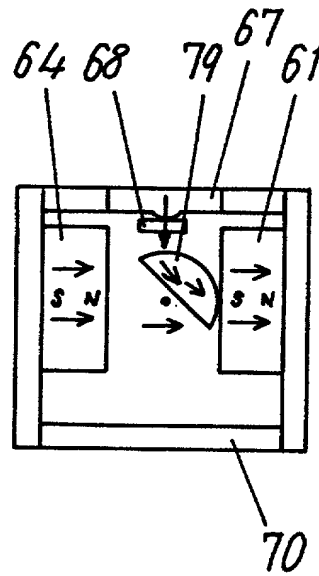


FIG.16

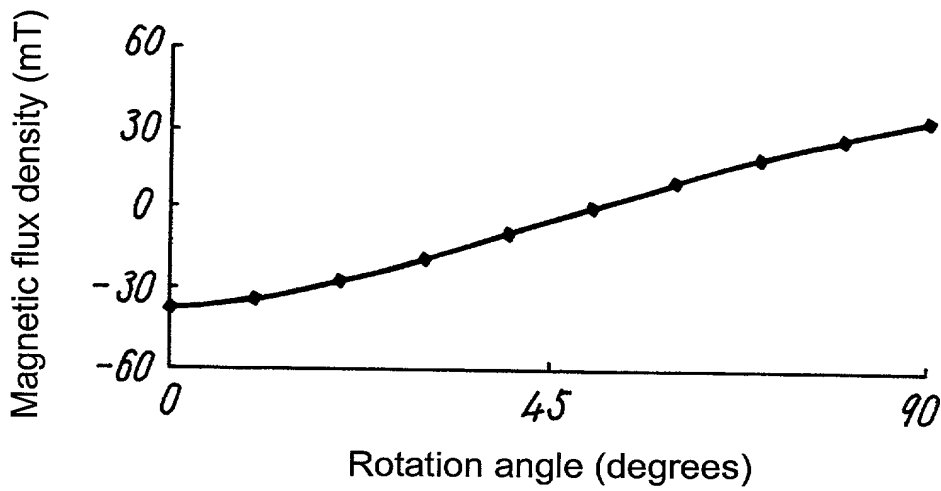
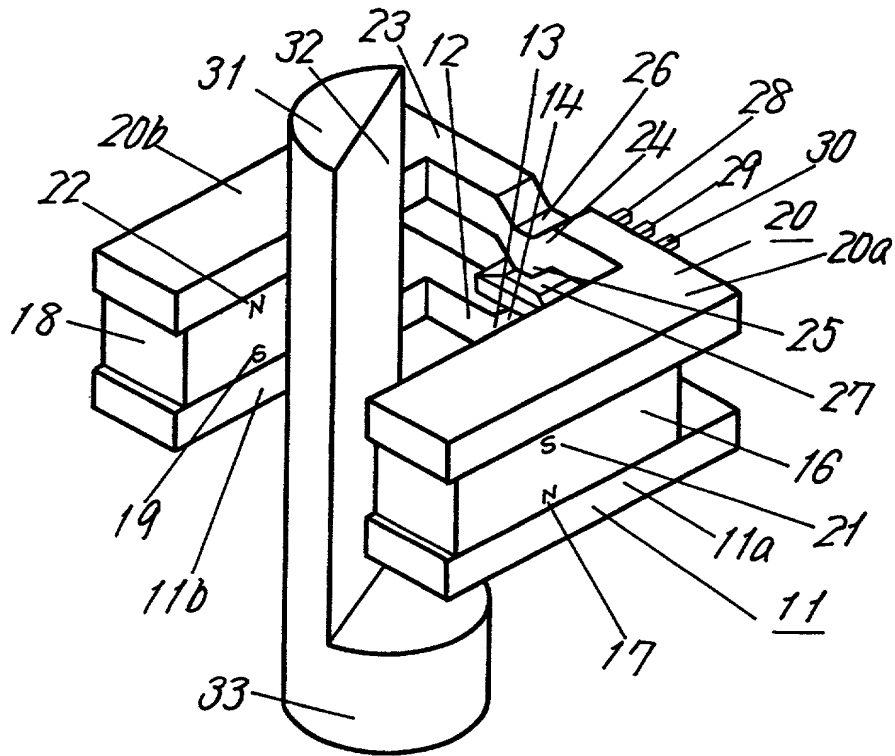


FIG.17



201050 23EET650

201350 295E F660

FIG.18 (a)

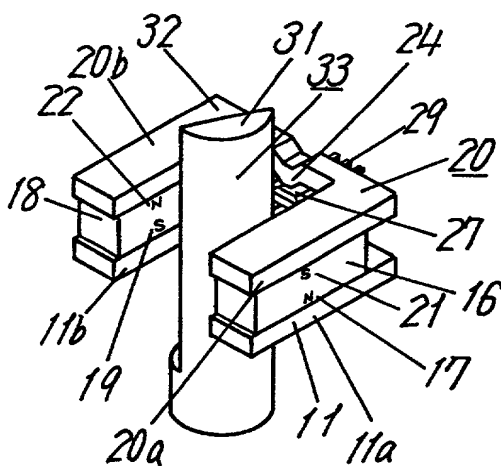


FIG.18 (b)

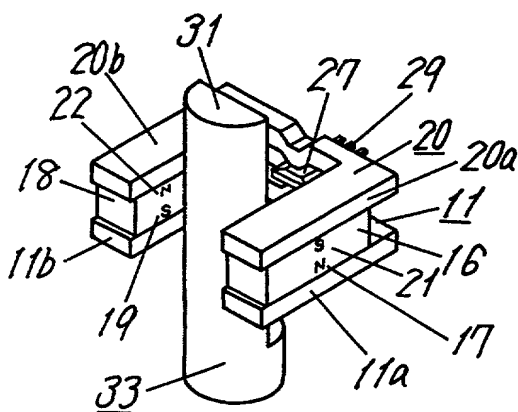


FIG.18 (c)

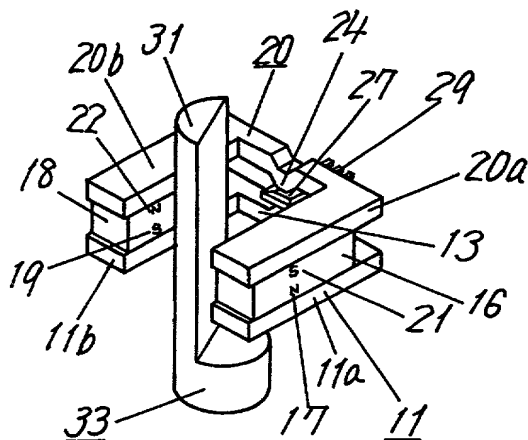
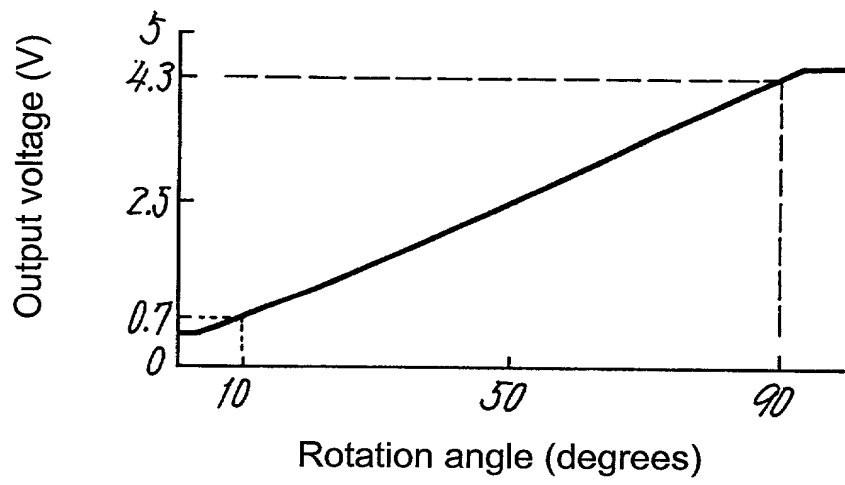
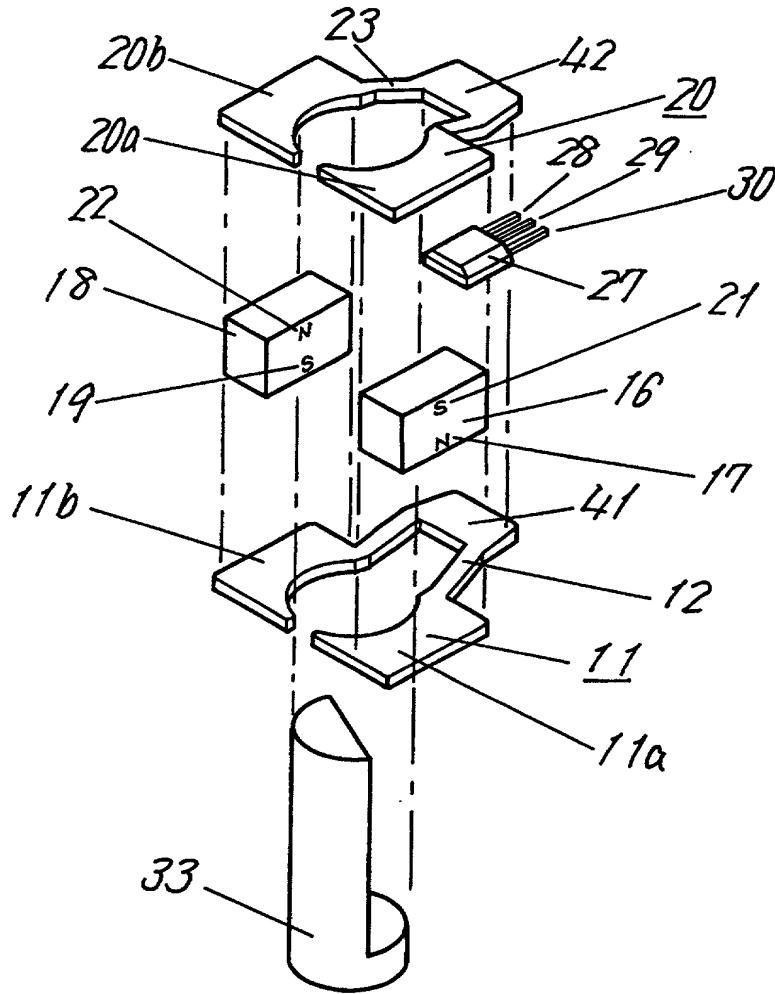


FIG.19



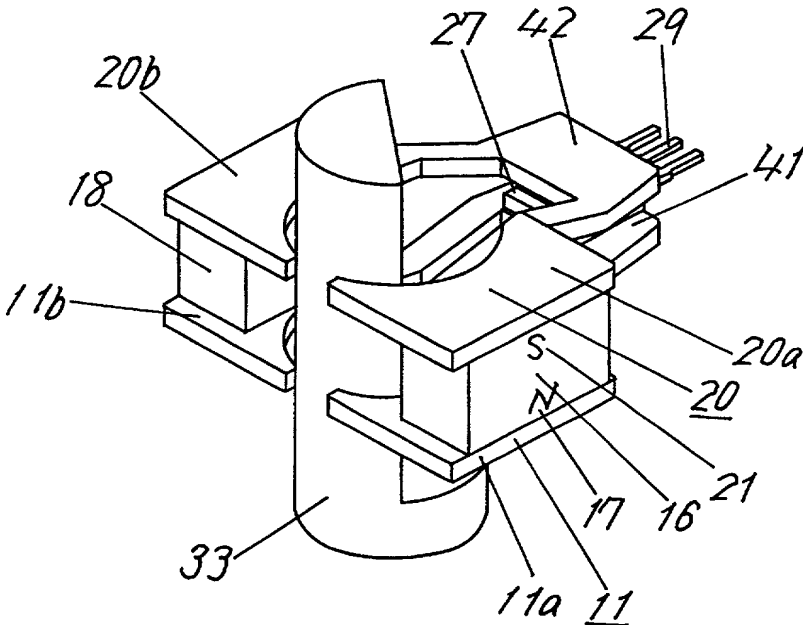
20250303 23:56:50

FIG.20



202503 29221650

FIG.21



201050-23EET650

FIG.22

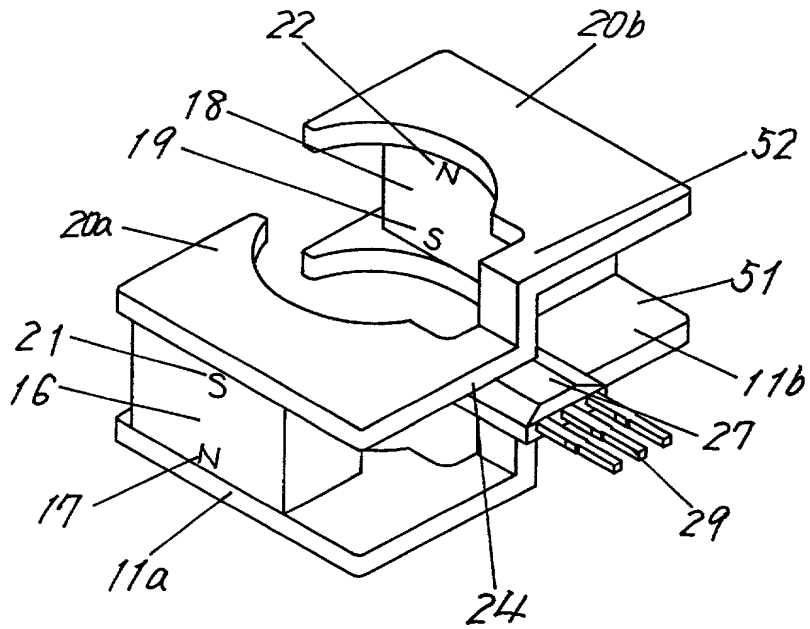


FIG.23

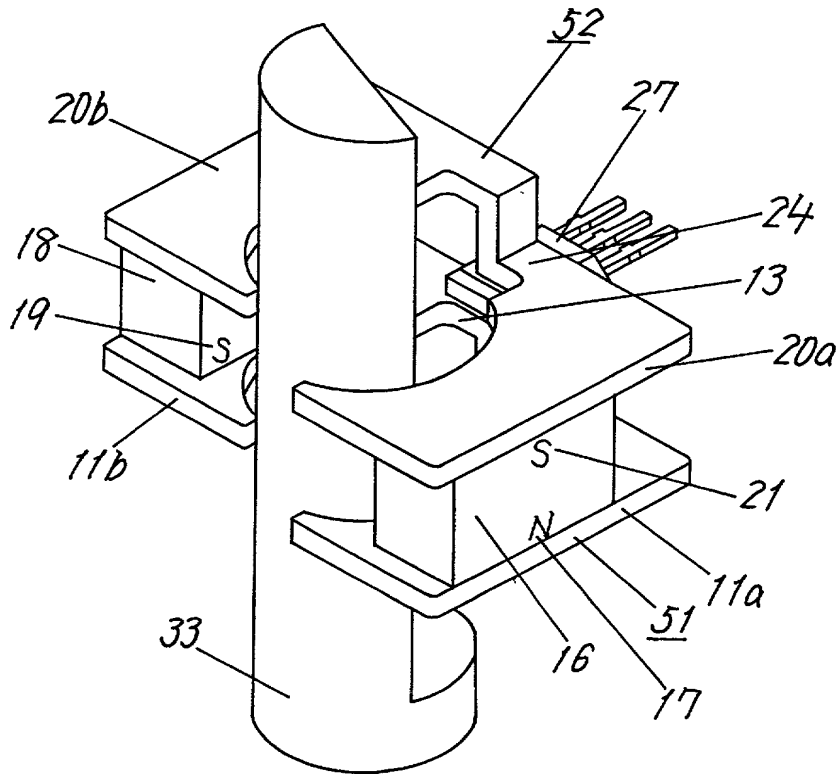
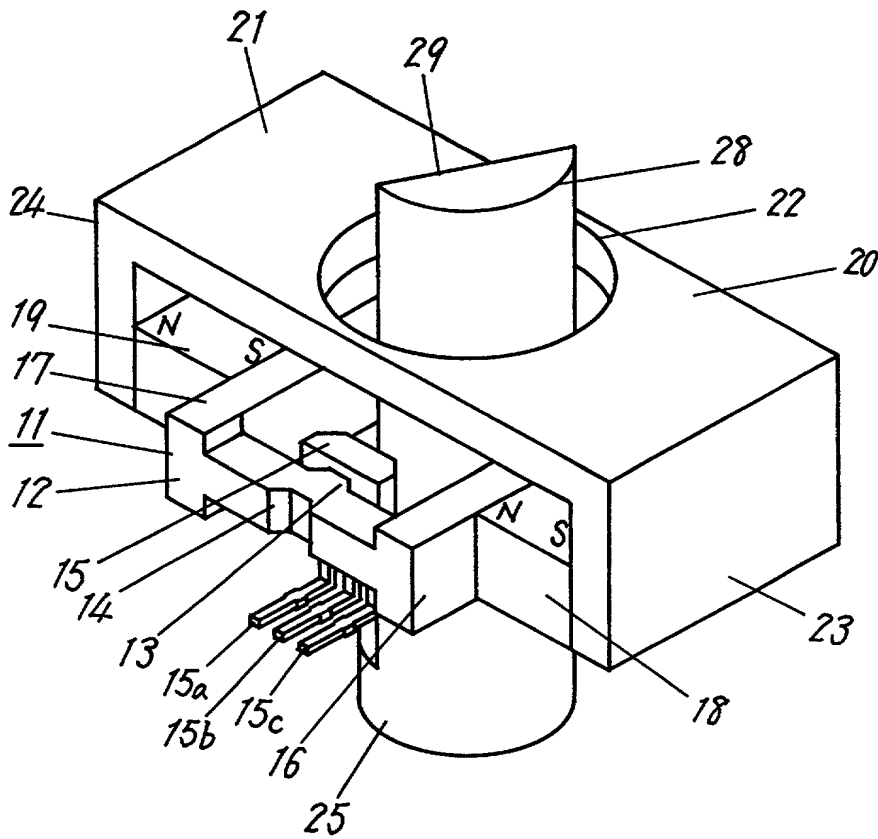






FIG.25



201050 2366750

FIG.26 (a)

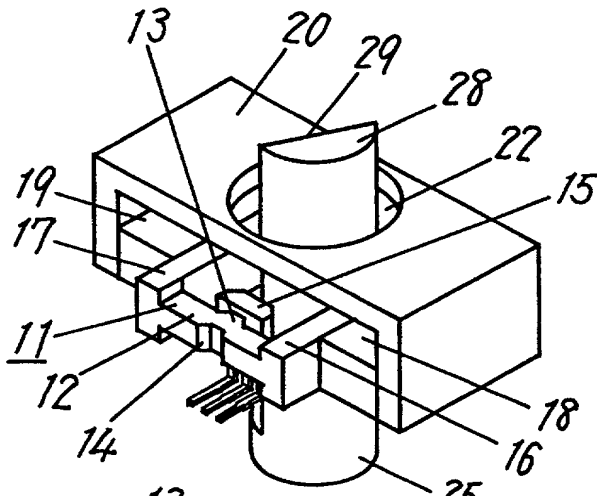


FIG.26 (b)

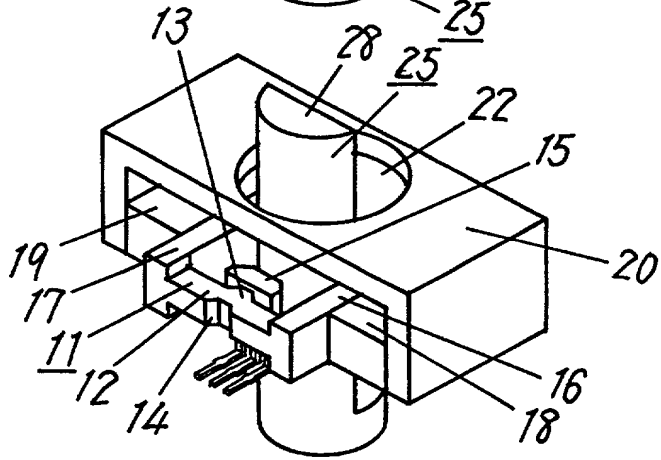
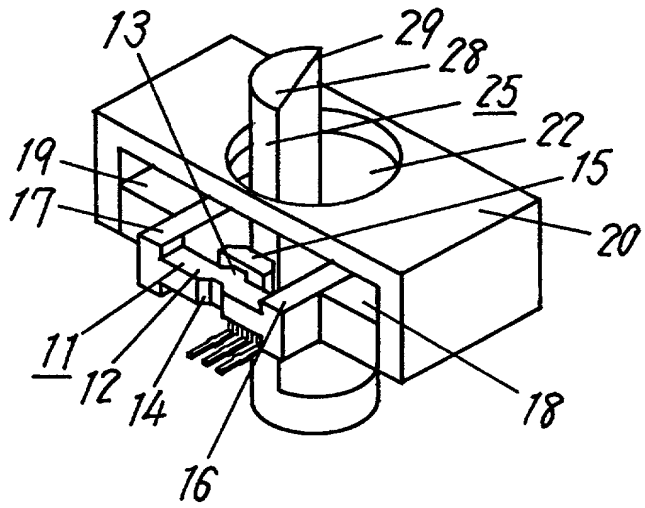


FIG.26 (c)



201609-29333-660

FIG.27

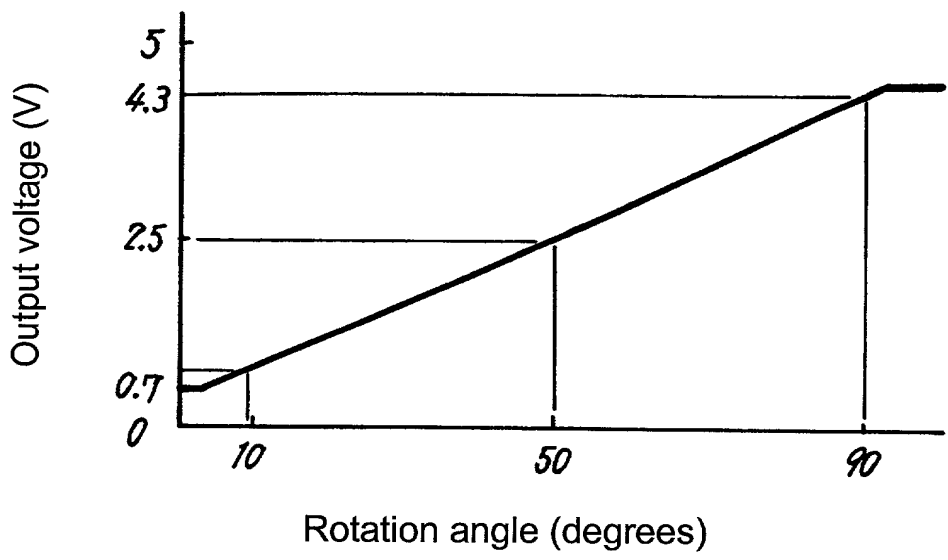


FIG.28

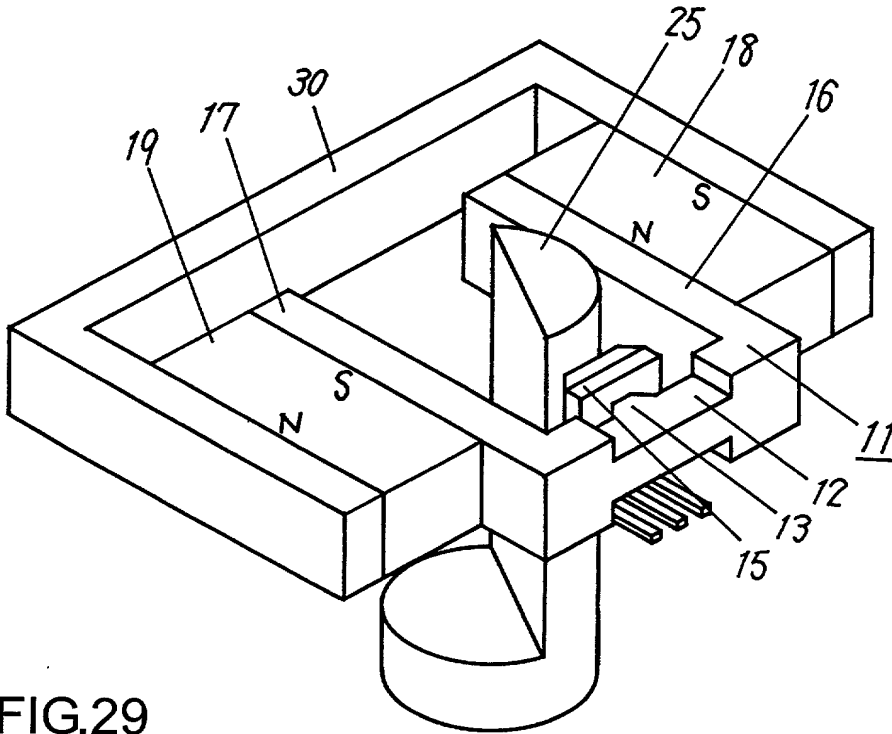
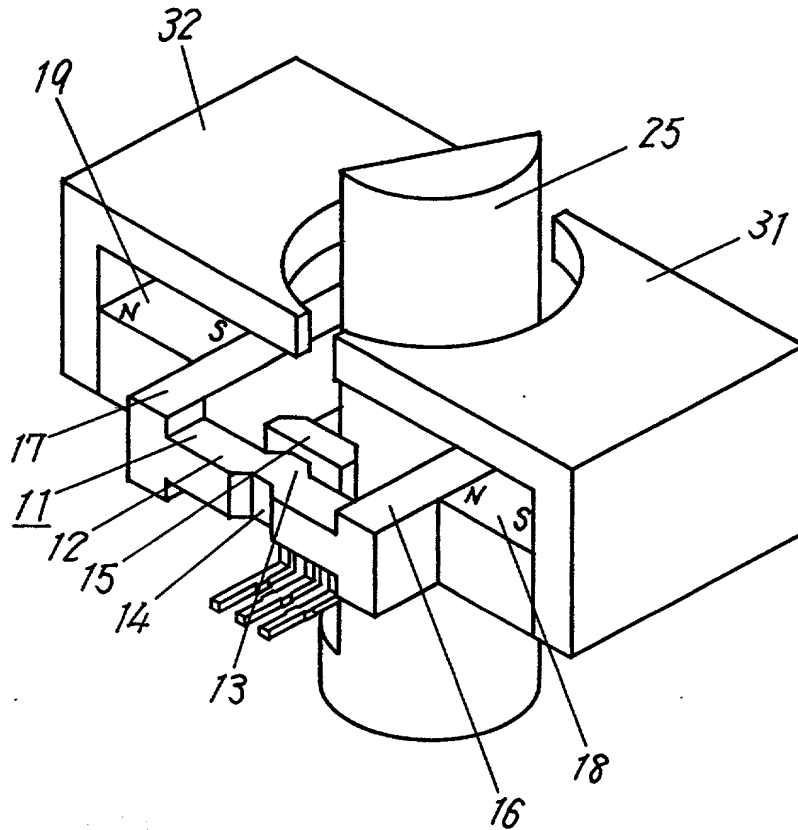


FIG.29



20250923 09:56:00

FIG.30

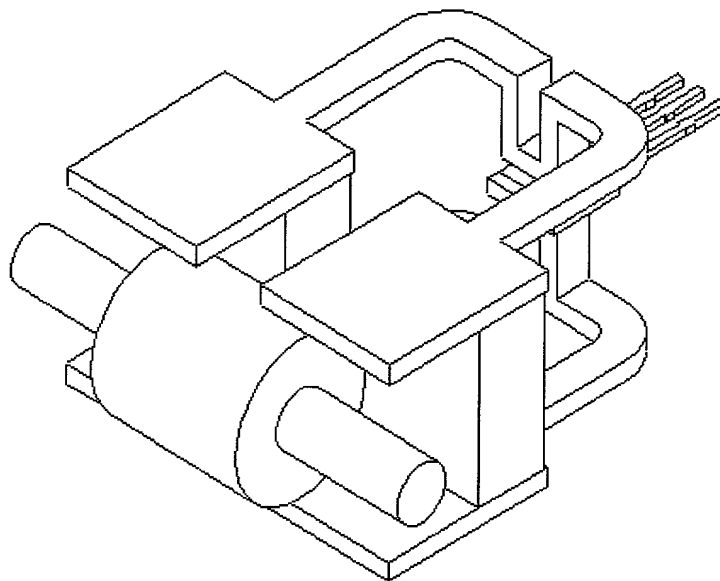
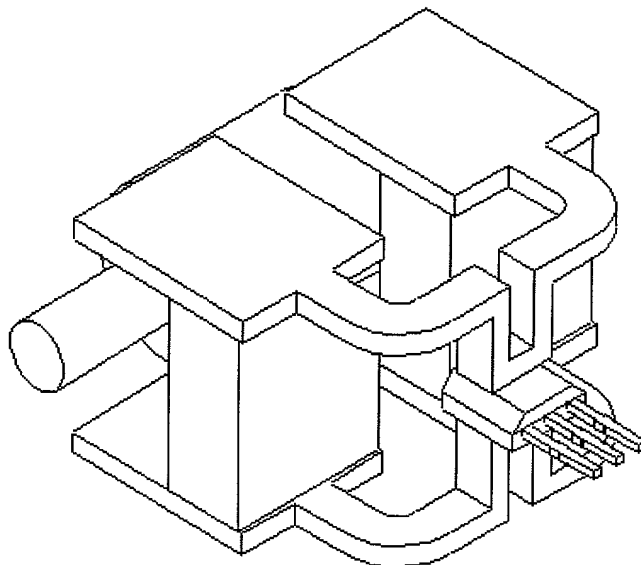


FIG.31



201050-23EET650

FIG.32 (a)

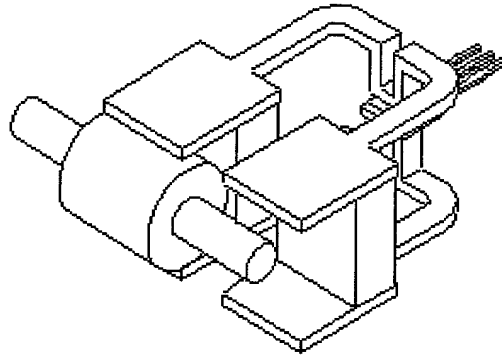


FIG.32 (b)

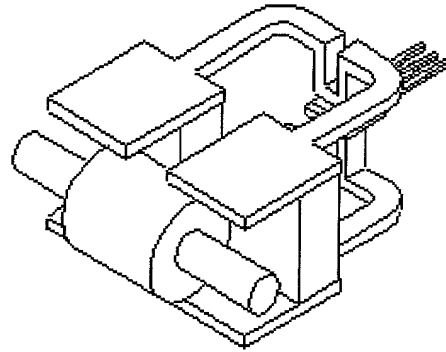
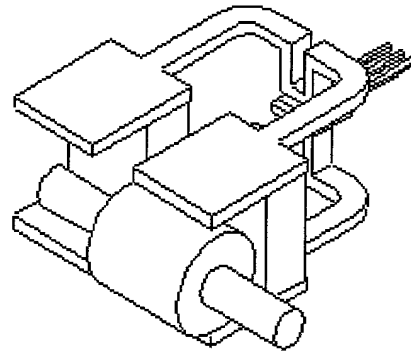


FIG.32 (c)



201050 20000000

FIG.33

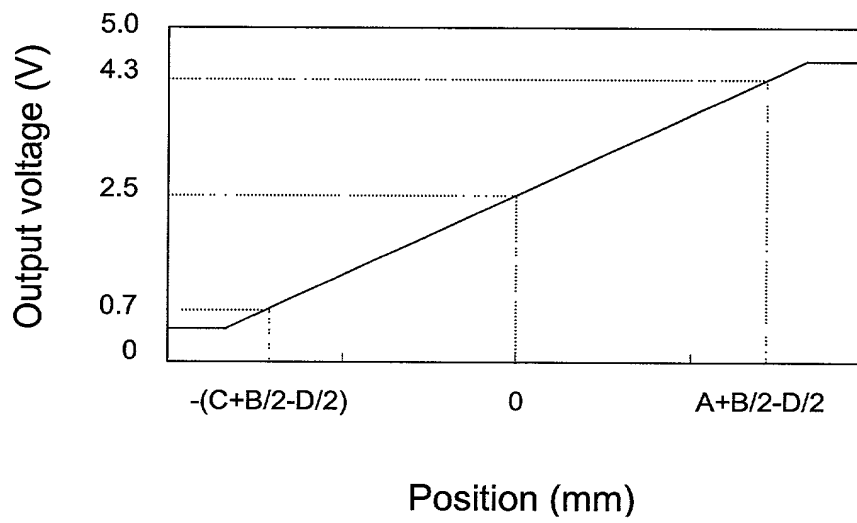




FIG.34

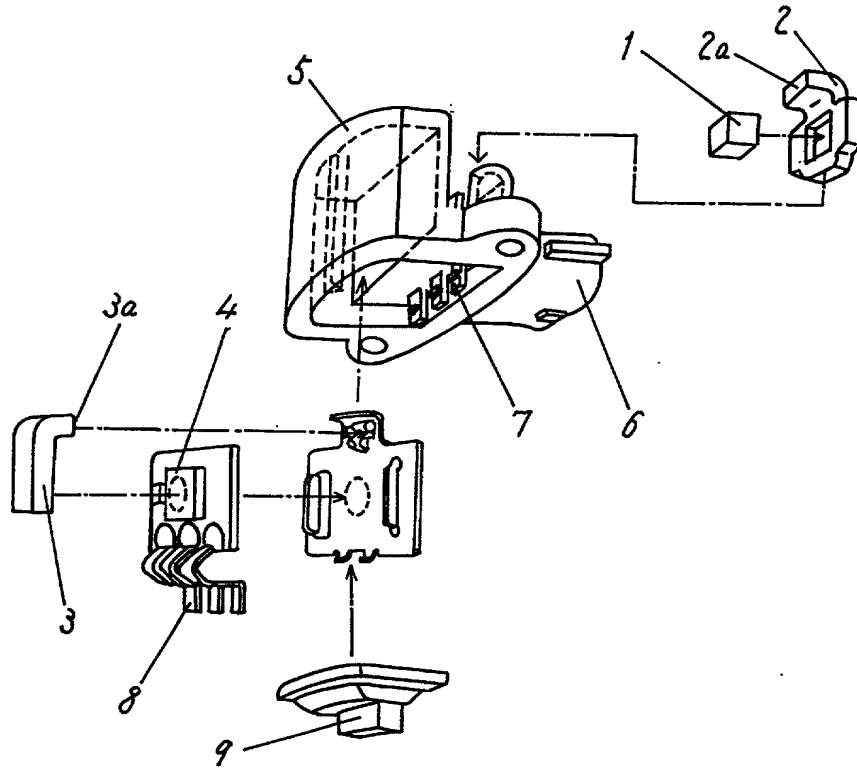


FIG.35

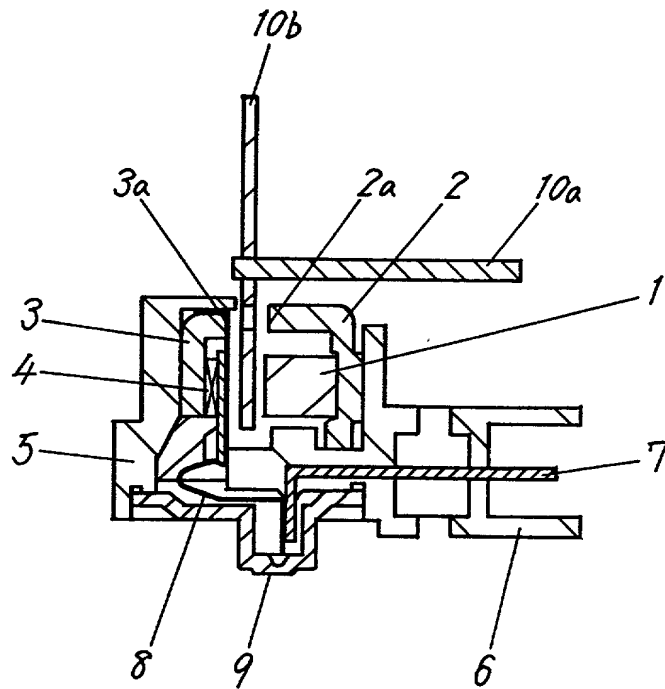


FIG.36 (a)

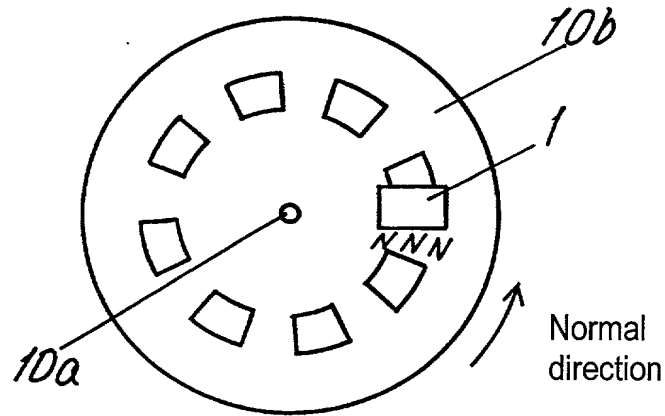


FIG.36 (b)

